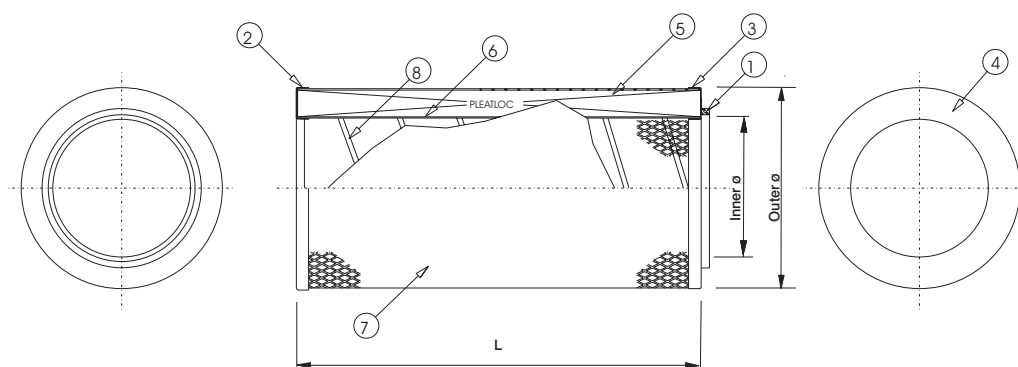


Replacement Elements Cartridges

AAF Series Optiflo



DIN top flange
2 open covers

SPECIFICATIONS

Number	Description	Symbol	Dimension
1	Gasket	L	708,2 mm
2	Bottom end cap open	Inner DIA	240,8 mm
3	Top end cap	Outer DIA	351,5 mm
4	Marking - Inkjet	Available media qualities: - Ultra-Web® - Ultra-Web® FR - Cellulex	
5	Media pack		
6	Inner liner		
7	Outer liner		
8	Inner beading		

Replacement Elements Cartridges
